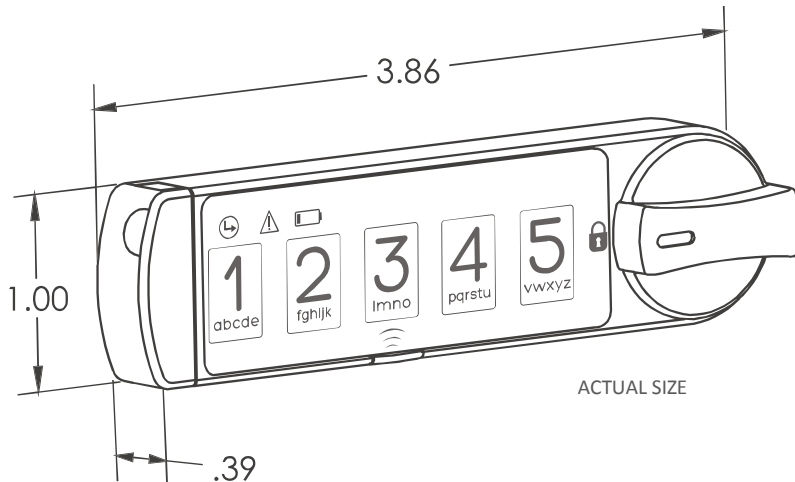


MicroIQ™ CM

CORE LOCK REPLACEMENT - 25 access codes



The smallest
footprint in
the industry

HIGHLIGHTS :

- External dimensions: H 1.00" W 3.86" D 0.39"
- Finishes: satin chrome or black
- Fit: direct replacement for Haworth, Herman Miller, HON, Hudson, Kimball, Knoll, Steelcase, Timberline, Wesco and many more
- Configurations: vertical up, vertical down, left and right hand models
- Levels of access: - 1 master code (5 digits)
- 25 users codes (5 digits)
- Control key: master key code or control key fob
- Wireless access options: infrared key fob
- Applications: storage cabinets, lockers, desks, furniture, offices, school, hospitals, health clubs, mail boxes, doors, drawers, tool cabinets, medical storage, file cabinets
- Operating modes: station mode

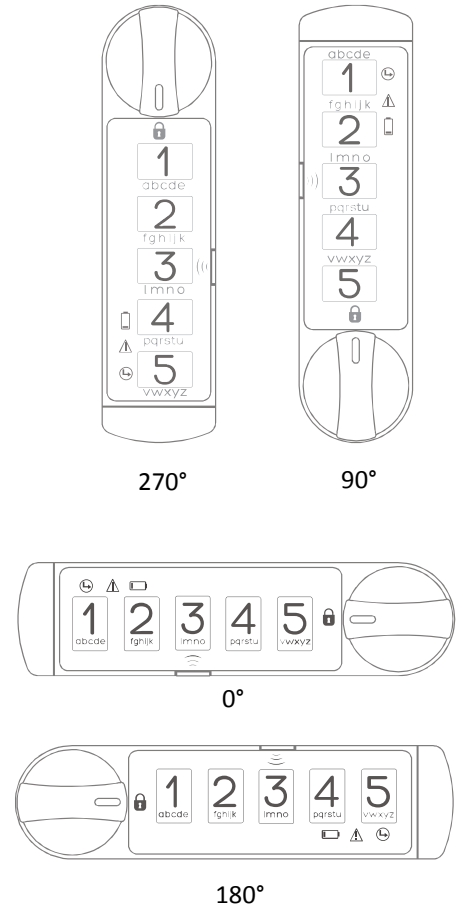
OPERATING FEATURES :

- Keypad access: easy to read 5 digit membrane keypad capable of 1-9 digit entries
- Power: 20mm coin cell battery, replaced externally
- Battery life: 50,000 operations; 5 years
- LED indicators: green (proceed), red (error), yellow (low battery)
- Locking mechanism: motorized; immune to shock, vibration and magnetic field
- Locking positions: one or two
- Knob rotation: clockwise or counterclockwise; 90 or 180 degrees
- Operating temperature: 0 to 50C
- Storage temperature: -10 to 70C
- Operating moisture: 20% - 80% Rh
- Cleaning: withstands bleach and chemical cleaners

Spindles and Tumblers Configurations:

Manufacturer	Core numbers replaced	Driver or Retaining Tumbler
Herman Miller	UM226 - UM427 LL226-LL427 M001 - M165 ES101 - ES200	
Haworth	HW001 - HW300 ML401 - ML700 SL001 - SL300 ES101 - ES200 ML001 - ML300	
Knoll	H6001-H6250, K001-K250	
Hudson	ES101-ES200	
Kimball	001_125, HK1-HK250	
Kimball	001-500	
Timberline	351TA - 999TA 100TC - 999TC 100TB - 999TB	
Hon	101E-225E	
Wesko	W401 - W630 T601 - T750 P1 - P180	
Steelcase	13263-0B-CD	

Orientation options:



Key-fobs:

The MicroIQ lock can pair one control key fob and two user key fobs simultaneously.

Multiple key fobs of the same code can be used to access the lock.

