

# MicroIQ™ ST

SELF LOCKING SPRING BOLT - 3 access codes



ACTUAL SIZE

The smallest  
footprint in  
the industry

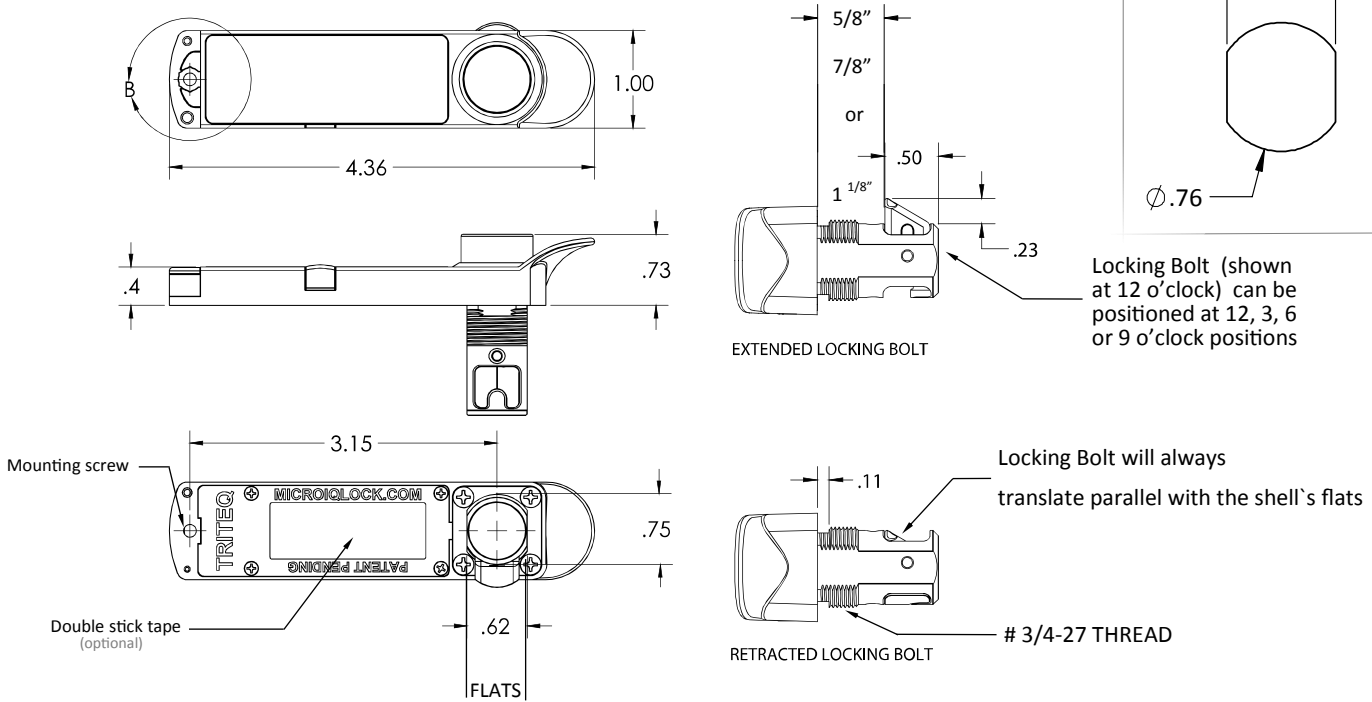
## HIGHLIGHTS :

- External dimensions: H 1.00" W 4.36" D 0.73"
- Finishes: satin chrome or black
- Fit: mounts directly to standard 3/4" DD hole with 5/8", 7/8" and 1-1/8" sizes available; 3, 6, 9, 12 o'clock positioned bolt configurations
- Configurations: vertical up, vertical down, left and right hand models
- Levels of access: master, supervisor, user
- 6 digit master code, 3-6 digit supervisor, and 3-6 digit user code
- Control key: master key code or control key fob
- Wireless access options: infrared key fob
- Applications: storage cabinets, lockers, desks, furniture, offices, school, hospitals, health clubs, mail boxes, doors, drawers, tool cabinets, medical storage, file cabinets

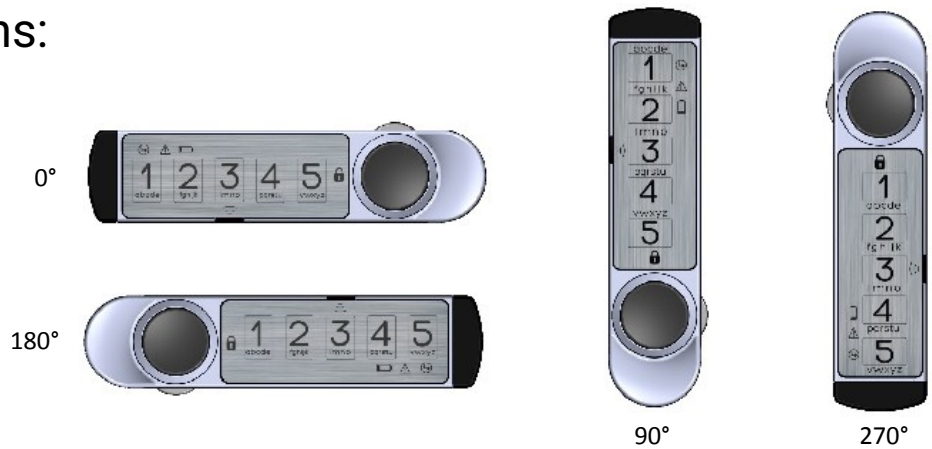
## OPERATING FEATURES :

- Keypad access: easy to read 5 digit membrane keypad capable of 1-9 digit entries
- Operating mode: station mode
- Power: 20mm coin cell battery, replaced externally
- Battery life: 50,000 operations; 5 years
- LED indicators: green (proceed), red (error), yellow (low battery)
- Locking mechanism: motorized; immune to shock, vibration and magnetic field
- Latching mechanism: push button to open; self locking on closure
- Operating temperature: 0 to 50C
- Storage temperature: -10 to 70C
- Operating moisture: 20% - 80% Rh
- Cleaning: withstands bleach and chemical cleaners

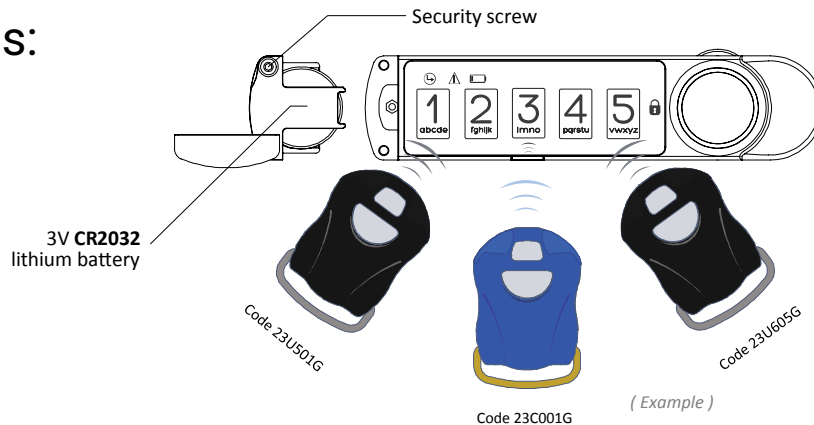
# Lock mounting and dimensions:



# Orientation options:



# Key-fobs:



The MicroIQ lock can pair one control key fob and two user key fobs simultaneously. Multiple key fobs of the same code can be used to access the lock.