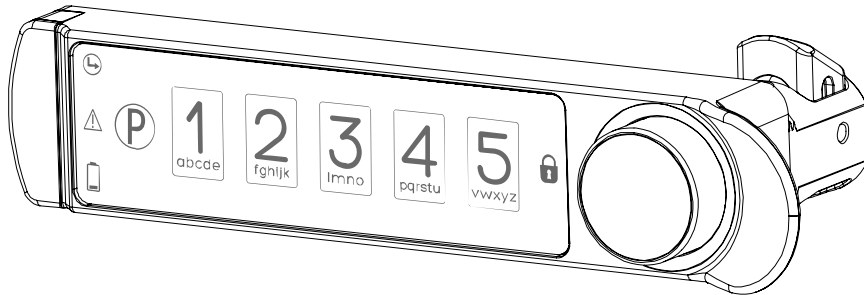


MicroIQ™ SW

WIRELESS SELF LOCKING SPRING BOLT



The smallest
footprint in
the industry

HIGHLIGHTS :

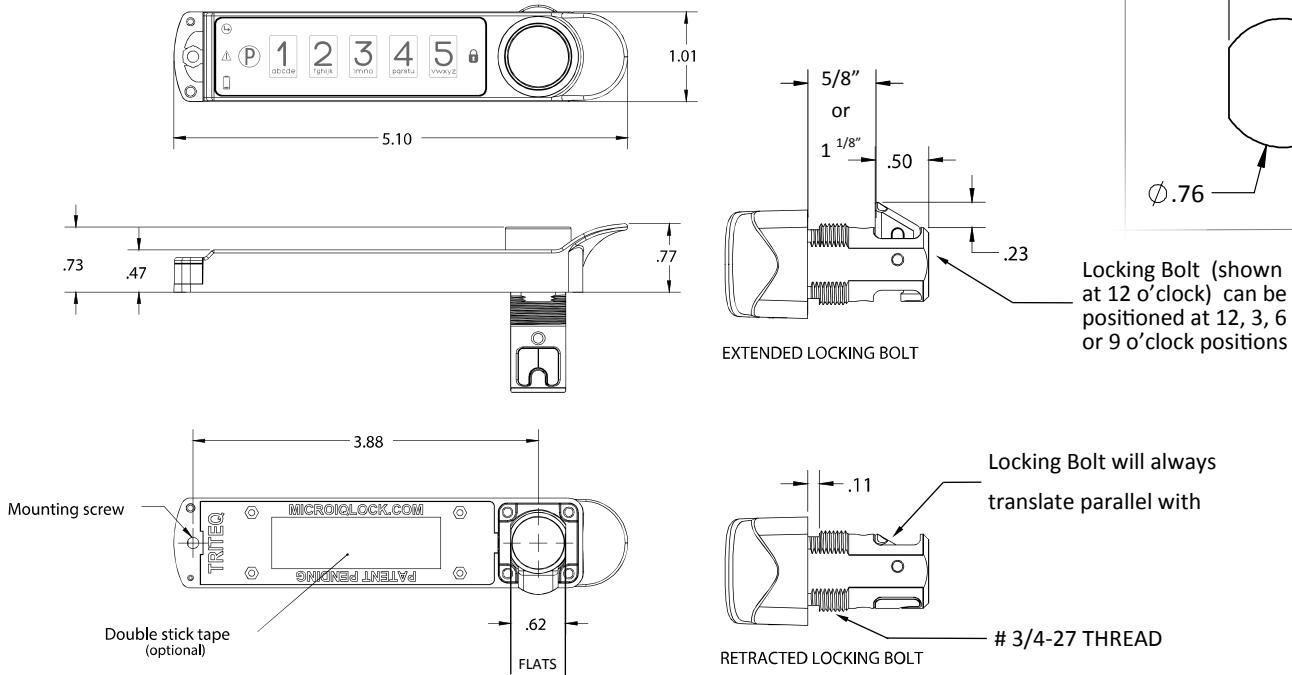
- External dimensions: H 1.01" W 5.10" D 0.77"
- Finishes: black
- Fit: mounts directly to standard 3/4" DD hole with 5/8", 7/8" and 1-1/8" sizes available; 3, 6, 9, 12 o'clock positioned bolt configurations
- Configurations: vertical up, vertical down, left and right hand models
- Levels of access: master, supervisor, user
- 6 digit master code, 3-6 digit supervisor, and 3-6 digit user code
- Wireless access options: NFC, Bluetooth, Proxcards
- Compatible Proxcards: 125khz and 13.56Mhz
- Applications: storage cabinets, lockers, desks, furniture, offices, school, hospitals, health clubs, mail boxes, doors, drawers, tool cabinets, medical storage, file cabinets

OPERATING FEATURES :

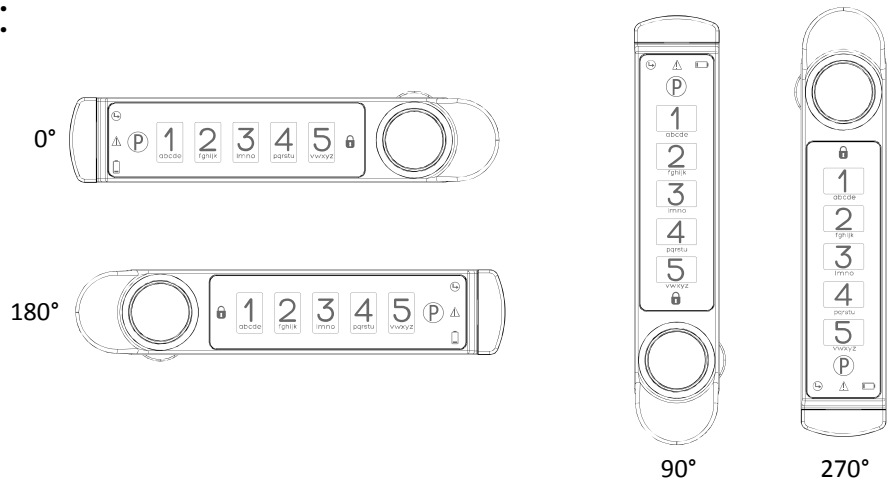
- Keypad access: easy to read 5 digit capacitive touch keypad, capable of 1-9 digit entries
- Operating mode: station mode
- Power: 20mm coin cell battery, replaced externally
- Battery life: 20,000 operations; up to 2 years*
- LED indicators: green (proceed), red (error), yellow (low battery)
- Locking mechanism: motorized; immune to shock, vibration and magnetic field
- Latching mechanism: push button to open; self locking on closure
- Operating temperature: 0 to 50C
- Storage temperature: -10 to 70C
- Operating moisture: 20% - 80% Rh
- Cleaning: withstands bleach and chemical cleaners

*calculated based on normal average usage

Lock mounting and dimensions:



Orientation options:



Wireless access options:

